

Drop Lens LED 2' and 4'

GENERATION LIGHTING

591320S, 591360S | 1.0

SAVE THESE INSTRUCTIONS!

GENERAL PRODUCT INFORMATION:

These fixtures are intended to be installed utilizing NEC compliant junction boxes.

This product is safety listed for damp locations.

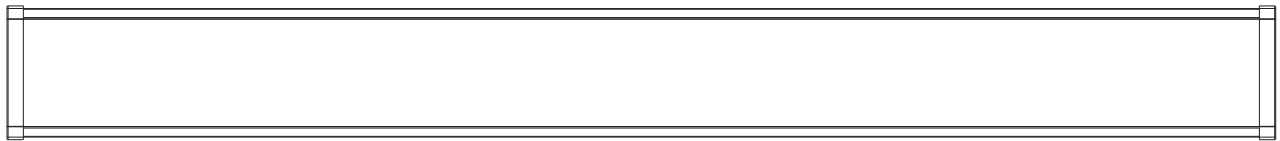
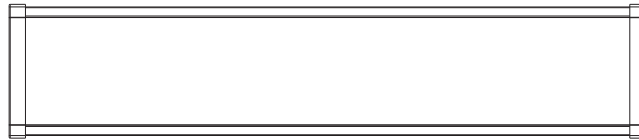
This fixture may be dimmed with a low-voltage electronic dimmer.

This instruction shows a typical installation.

CAUTION - RISK OF FIRE

This product must be installed in accordance with the applicable installation code by a person familiar with the construction and operation of the product and the hazards involved.

Use minimum 90°c supply conductors.



GENERATION LIGHTING

7400 Linder Ave., Skokie, IL 60077

T 847.410.4400 | F

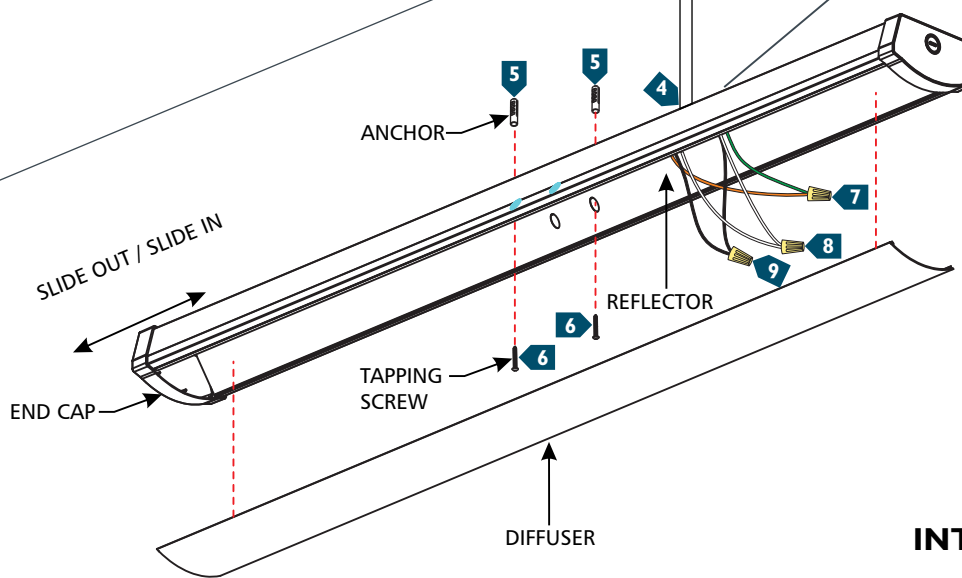
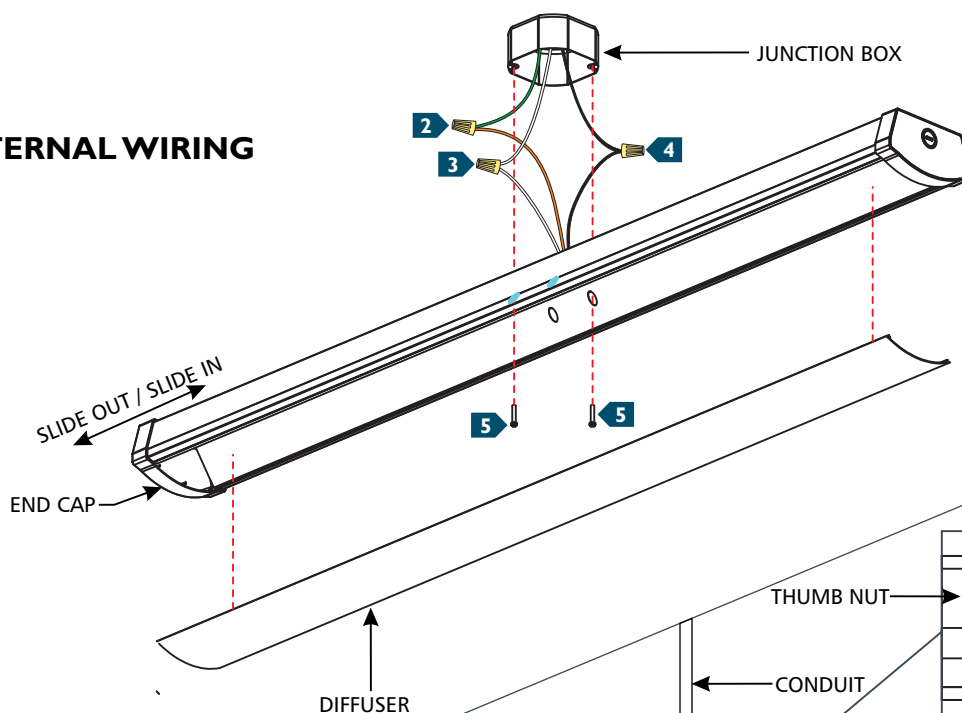
847.410.4500

www.visualcomfort.com

Install the Fixture

IA

EXTERNAL WIRING



INTERNAL WIRING

- 1 Slide the end cap outward and remove the diffuser.
- 2 Connect the fixture to a suitable ground in accordance with local electrical codes.
- 3 Connect the white driver wire to the neutral power line wire with a wire nut.
- 4 Connect the black driver wire to the hot power line wire with a wire nut.
- 5 Neatly place all the wires into the junction box, align the fixture to the mounting holes and secure it in place with the fixture screws
- 6 Reinstall the diffuser and slide the end cap inward.

INTERNAL WIRING METHOD:

- 1 Slide the end cap outward and remove the diffuser.
- 2 Carefully pull the reflector from one side to the middle to access inside the fixture.
- 3 Remove the wiring compartment cover by removing the two thumb nuts.
- 4 Remove the back knockout and bring power wires to fixture.
- 5 Position the fixture to the mounting surface and mark the screw hole locations at the narrow section of the keyholes.
- 6 Using the provided anchors and/or tapping screws, properly secure the fixture to the surface.
- 7 Connect the fixture to a suitable ground in accordance with local electrical codes.
- 8 Connect the white driver wire to the neutral power line wire with a wire nut.
- 9 Connect the black driver wire to the hot power line wire with a wire nut.
- 10 Place the wires and wire nut connections into the wiring compartment, reinstall the cover, and secure in place with the two thumb nuts.
- 11 Put the side of the reflector back to its original position.
- 12 Reinstall the diffuser and slide the end cap inward.